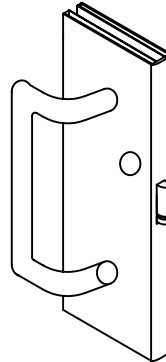
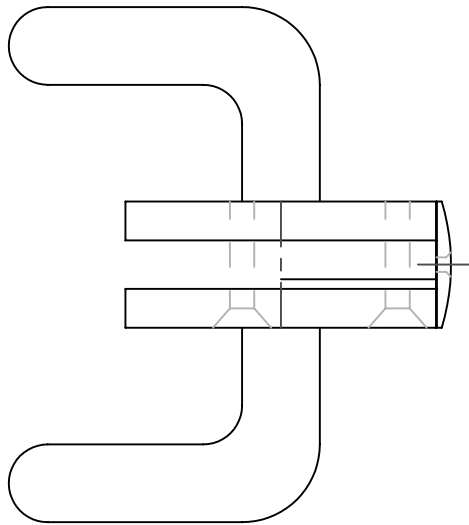


300 LIVINGSTON AVENUE  
 JAMESTOWN, NY 14701  
 TELEPHONE: 716-664-6009  
 1-800-766-9141  
 FAX: 716-483-0575



AVAILABLE WITH  
 OPTIONAL HARDWARE:  
 M.S. LOCK  
 LATCH LOCK  
 THUMBTURN  
 LEVER  
 PADDLE  
 PUSHBAR

