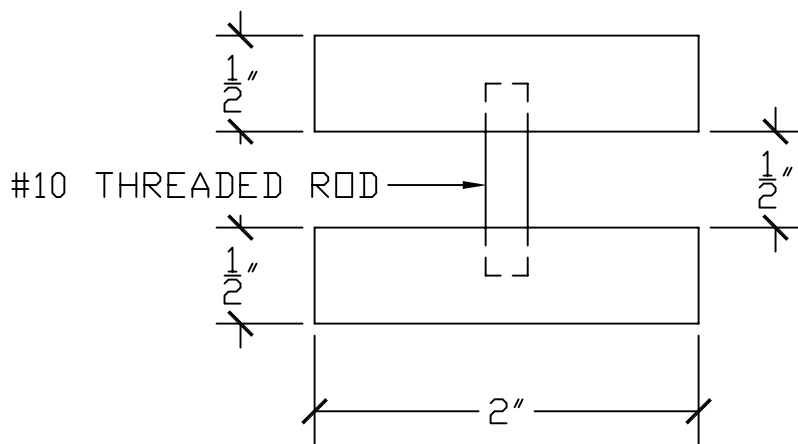


300 LIVINGSTON AVENUE
JAMESTOWN, NY 14701
TELEPHONE: 716-664-6009
1-800-766-9141
FAX: 716-483-0575



BRASS
CHROME
2" DECORATIVE BUTTON