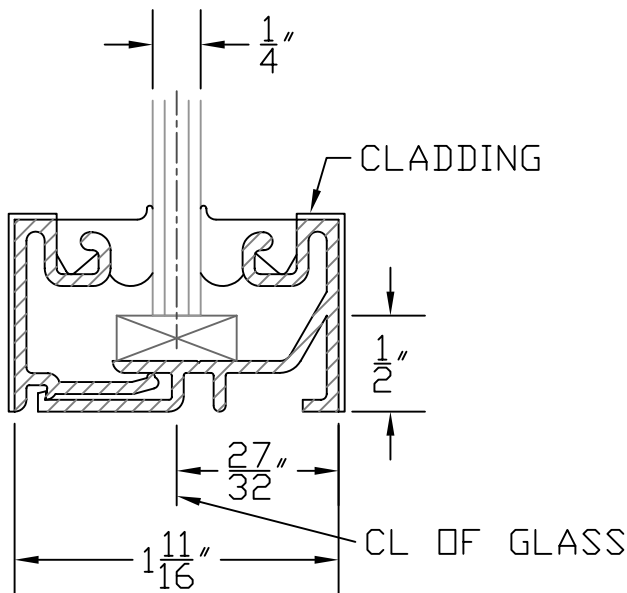
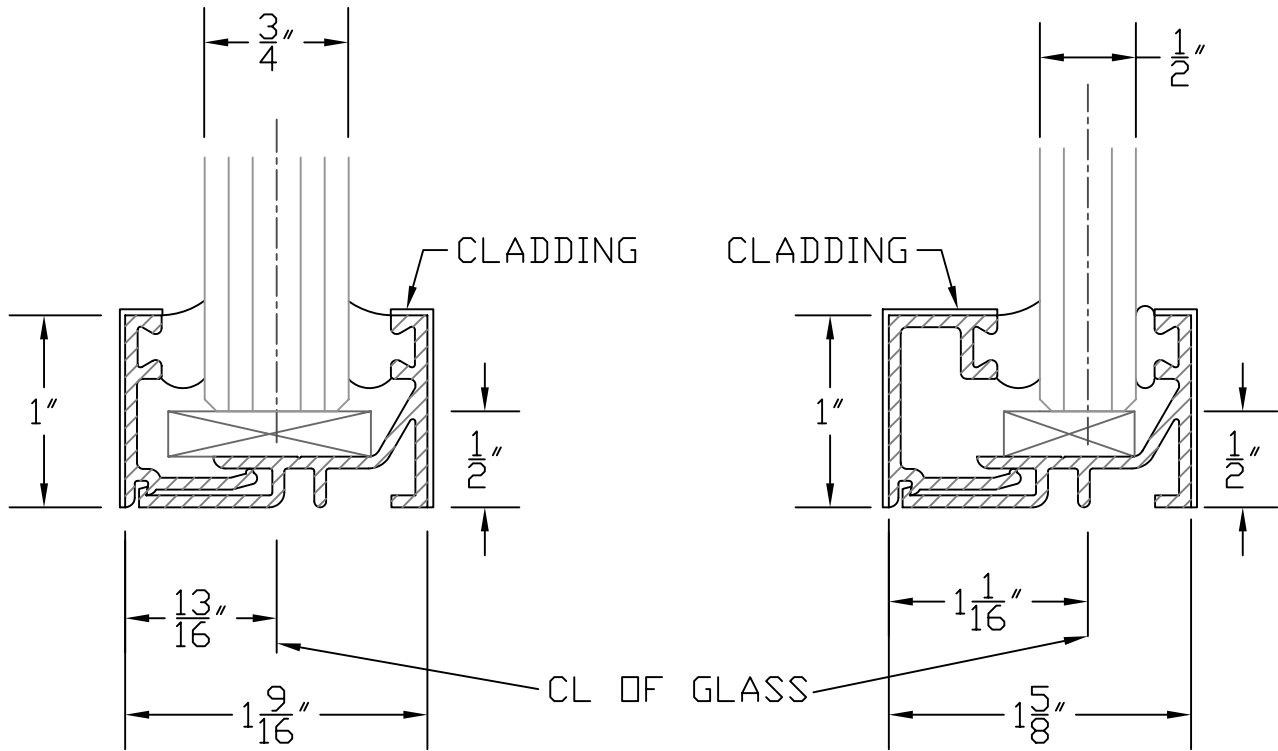


300 LIVINGSTON AVENUE
 JAMESTOWN, NY 14701
 TELEPHONE: 716-664-6009
 1-800-766-9141
 FAX: 716-483-0575



GLASS &
 SETTING BLOCKS
 BY OTHERS

GLASS STOPS