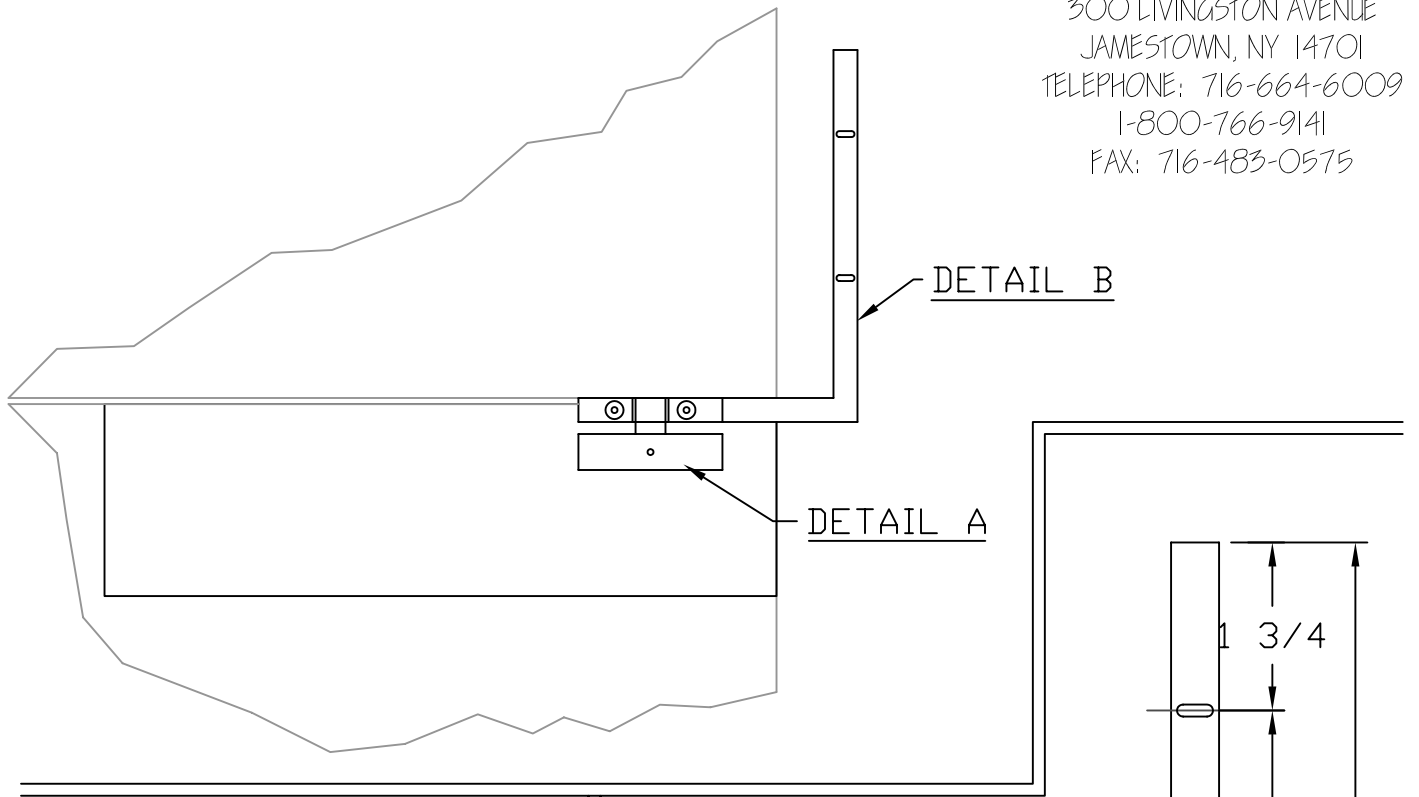
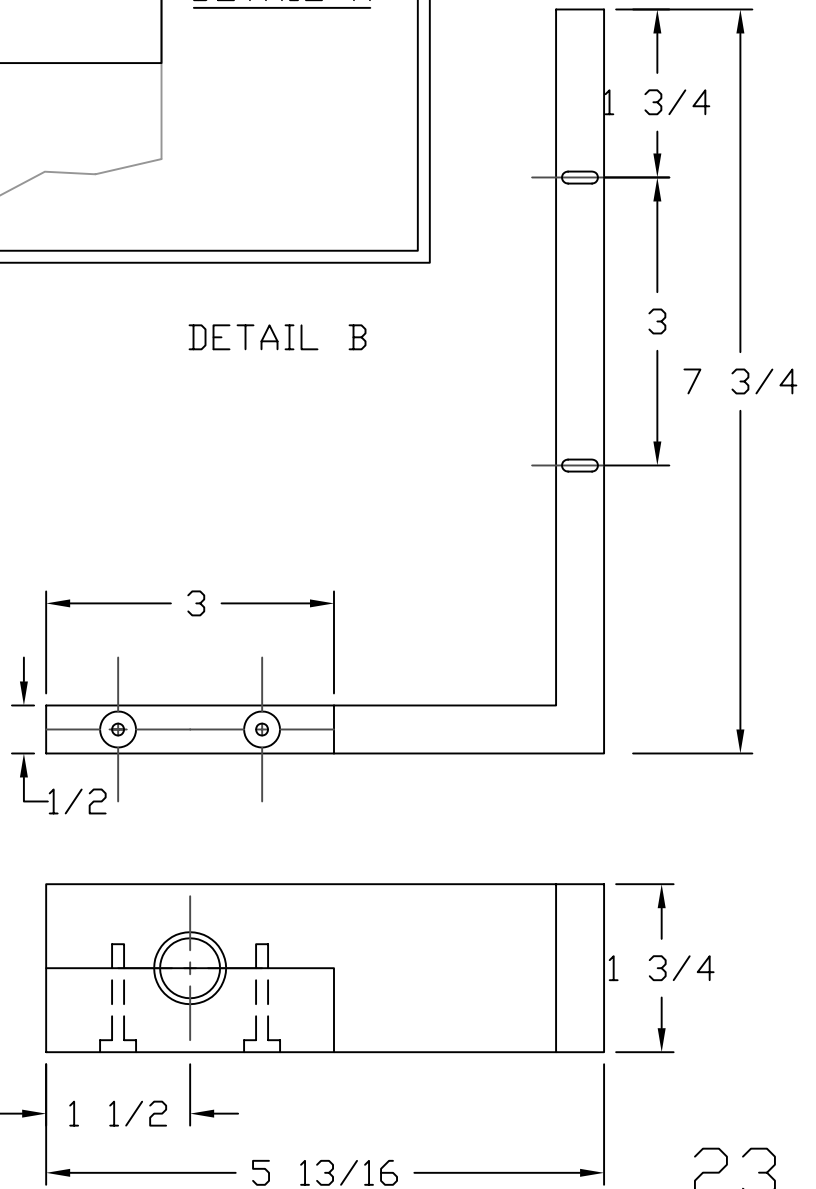
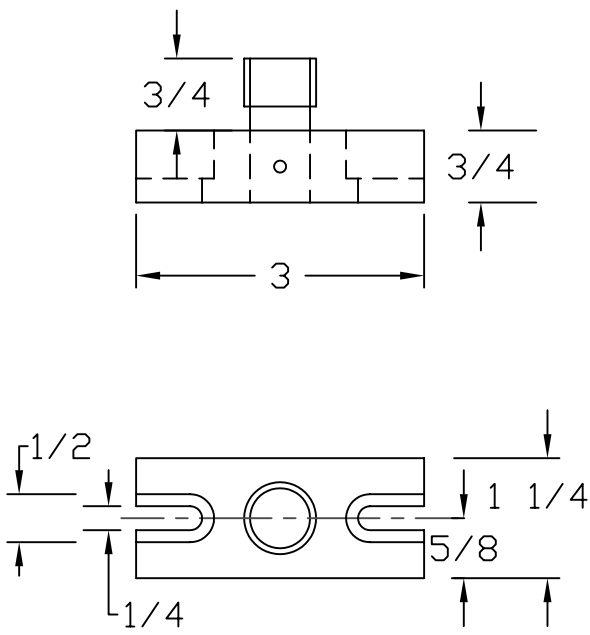


300 LIVINGSTON AVENUE
 JAMESTOWN, NY 14701
 TELEPHONE: 716-664-6009
 1-800-766-9141
 FAX: 716-483-0575



PIVOT DETAIL A

DETAIL B



23