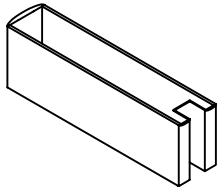
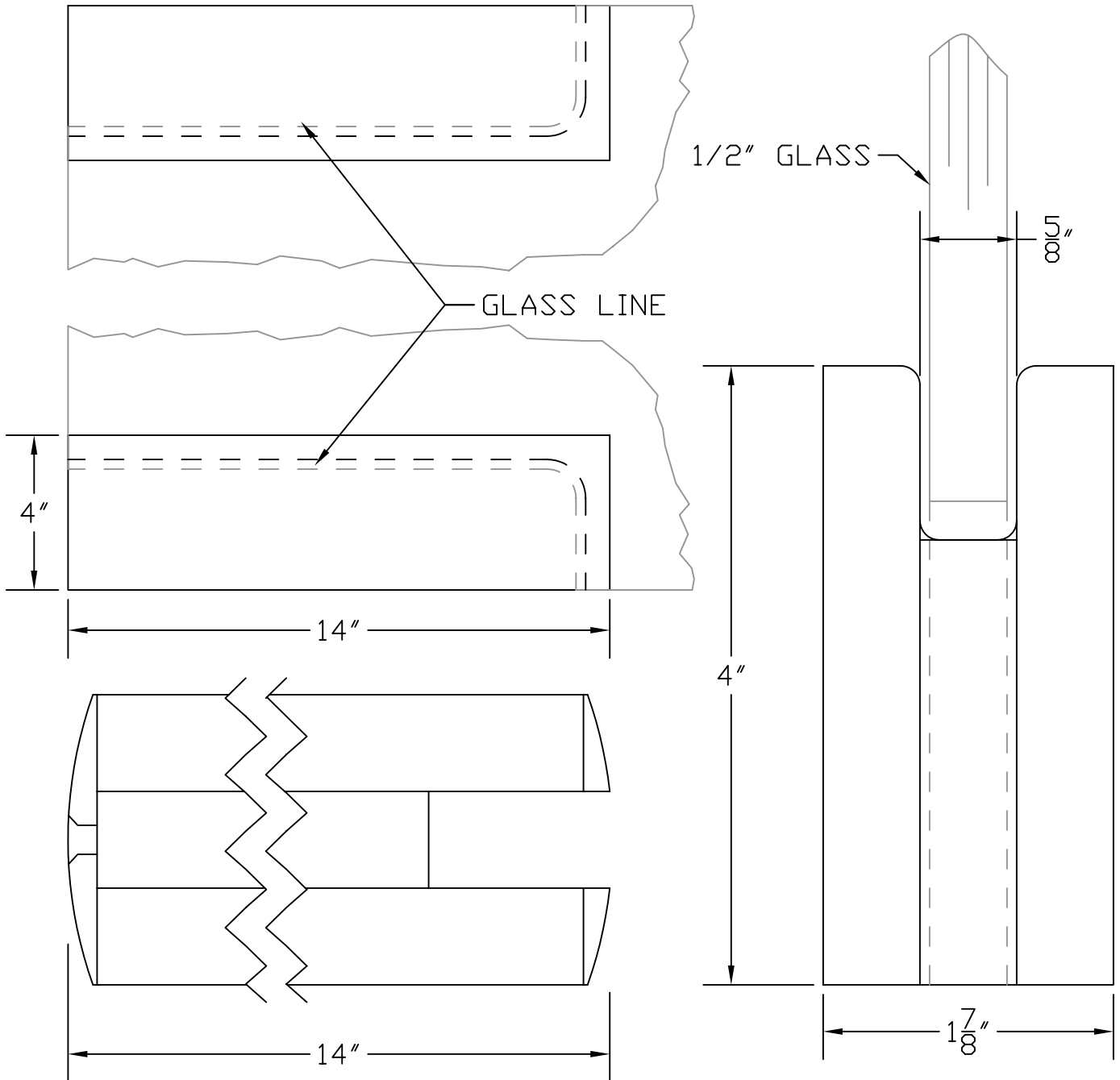


300 LIVINGSTON AVENUE
JAMESTOWN, NY 14701
TELEPHONE: 716-664-6009
1-800-766-9141
FAX: 716-483-0575



GLASS NOTCH TO BE 3 1/8" X 13 1/8"
W/ 1/2" RADIUS CORNERS



4" X 14" PATCH