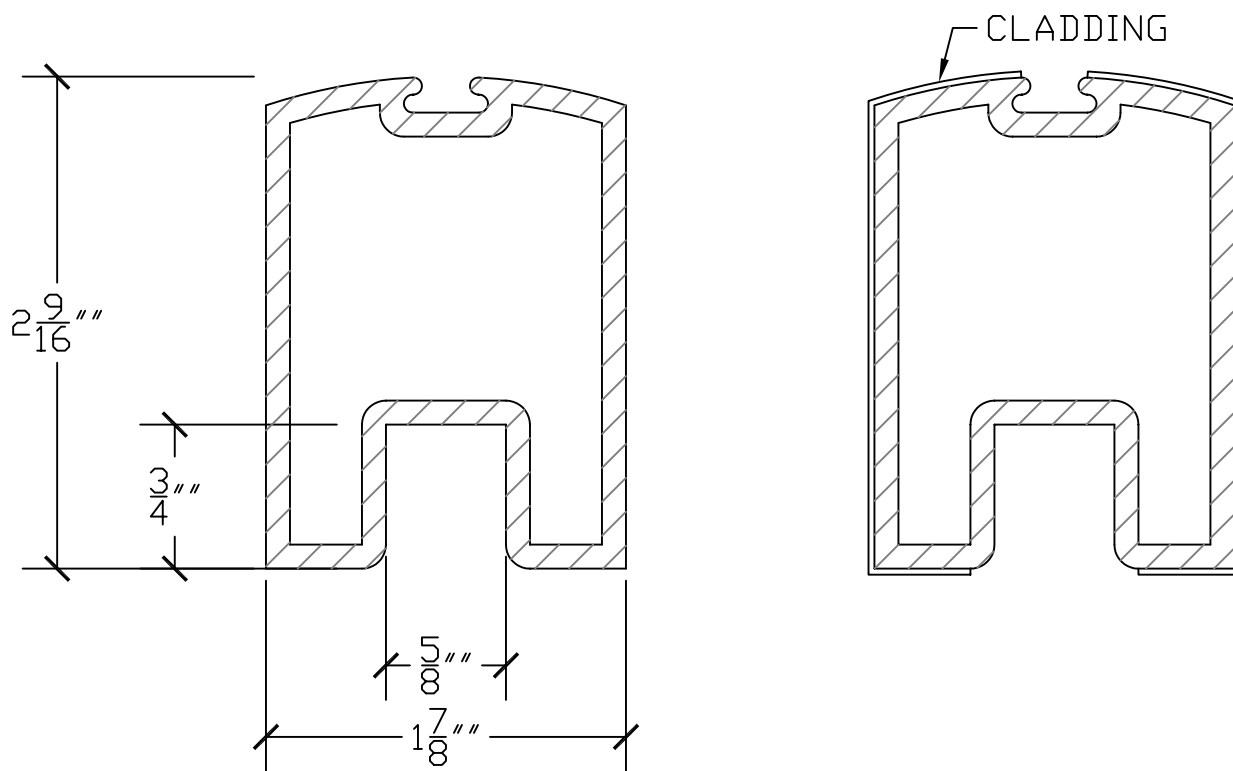


300 LIVINGSTON AVENUE  
JAMESTOWN, NY 14701  
TELEPHONE: 716-664-6009  
1-800-766-9141  
FAX: 716-483-0575



2 9/16" VERTICAL STILE  
FOR 1/2" GLASS